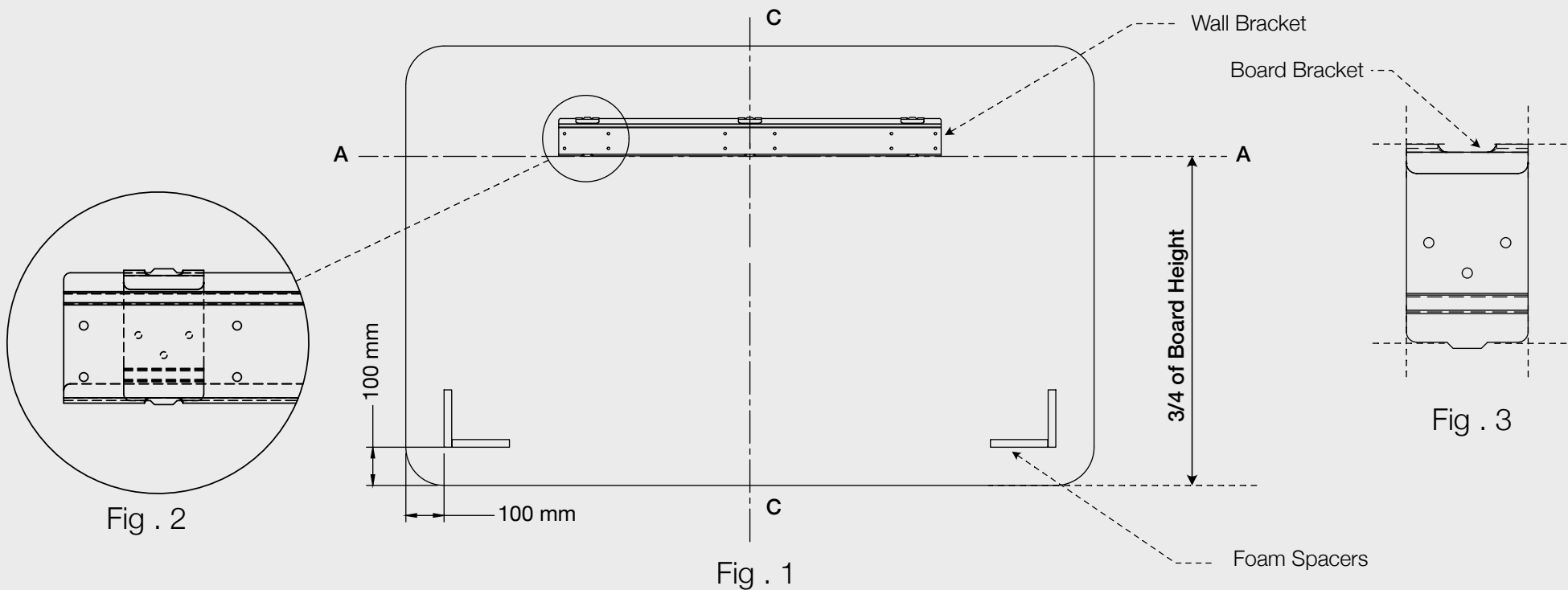


Mounting **BOARD BRACKET** behind the board



STEP 1 : Mark line A - A approximately 3/4 of board height (behind the board) - see Fig . 1

STEP 2 : Mark line C - C vertical centre of the board (behind the board) - see Fig . 1

STEP 3 : Position wall bracket (long) and board bracket (small) in locked condition - see Fig . 2

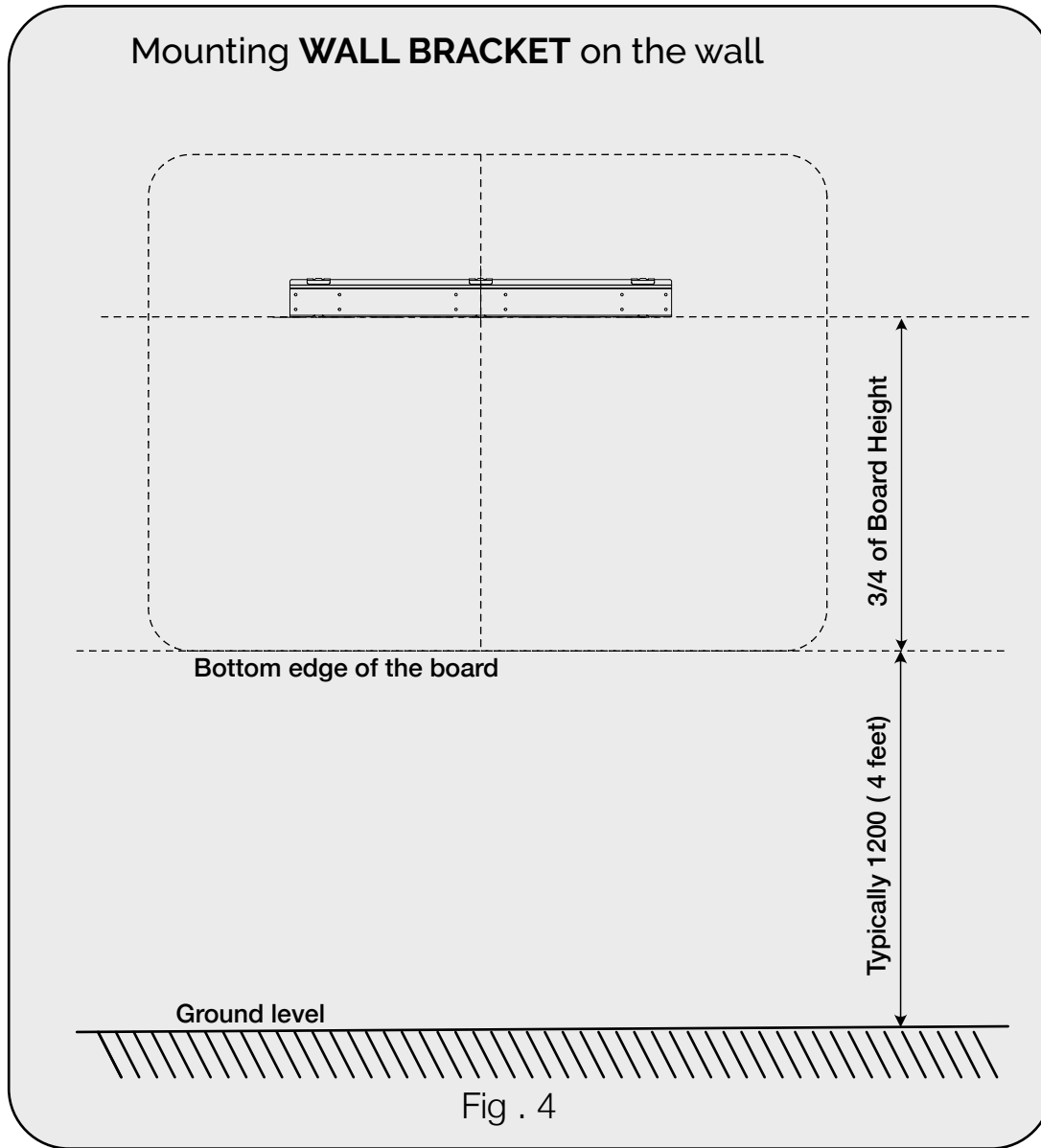
STEP 4 : Mark the position of the board bracket (small) - see Fig . 3

STEP 5 : Fix board brackets firmly to the board using #8 x16 wood screw

STEP 6 : Fix self adhesive foam spacers

HARDWARE FOR ASSEMBLY
(packed along with board)

1. Wall Bracket (Long) - 1 nos
2. Board bracket (Small) - 3 nos
3. Foam spacers - 4 nos (per board)
4. #8 x16 wood screws - 9 nos
5. #10 x 25 masonry screw - 12 nos
6. Plastic wall plugs - 12 nos



STEP 7 : Mark the wall bracket position on the wall according to Fig. 4

STEP 8 : Fix wall bracket to the wall using #10 x 25 masonry screw or similar hardware

STEP 9 : Hang the MINGLE BOARD on the wall bracket (Fig.5)

STEP 10 : Gently move the MINGLE BOARD to ensure the brackets are locked.

